



Technical Data

For detailed data and product description refer to the data sheets at www.pepperl-fuchs.com

General Data

Rated operating distance	3 mm
Installation	flush
Operating voltage	10 ... 30 V DC
No-load supply current	≤ 10 mA
Reverse polarity protection	✓
Switching frequency	0 ... 360 Hz
Operating current	0 ... 100 mA
Short-circuit protection	pulsing
Indication of the switching state	LED, red
Ambient temperature	-25 ... 75 °C (-13 ... 167 °F)
Housing material	Stainless steel 1.4305 / AISI 303
Sensing face	Stainless steel 1.4305 / AISI 303
Protection degree	IP67

Properties

- Ø8 mm metal face housing
- 3 mm, flush mountable
- DC, 3-wire switching output
- Cable and connector versions

Your Benefit

- Increased resistance to environmental influences due to self-contained metal sleeve

Model Number

			NIMB3-8GM35-E0	NIMB3-8GM35-E2	NIMB3-8GM50-E0-V3	NIMB3-8GM50-E2-V3	NIMB3-8GM50-E0-V1	NIMB3-8GM50-E2-V1
Switching element function	green = preferred type	NPN NO	●	●	●	●	●	●
		PNP NO		●		●		●
Connection type	Device connector M12 x 1, 4-pin				●	●	●	●
	Device connector M8 x 1, 3-pin						●	●
	cable PUR, 2 m		●	●				

Approvals and Certificates

UL approval	cULus Listed, General Purpose	●	●	●	●	●	●	●
CSA approval	cCSAus Listed, General Purpose	●	●	●	●	●	●	●
CCC approval	Products with a maximum operating voltage of ≤36 V do not bear a CCC marking because they do not require approval.							

Dimensions

Length L [mm]	35	50
Diameter D [mm]	8	8 / 12
Thread length l _t [mm]		25
Cap length l ₁ [mm]		0
Connector area l _c [mm]	0	6
LED position	Pos. C	Pos. A

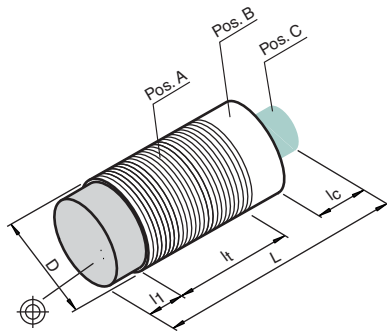
Accessories

This and more accessories can be found in chapter 10

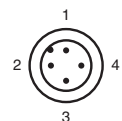
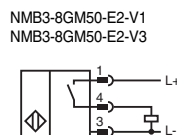
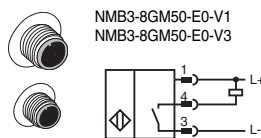
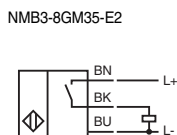
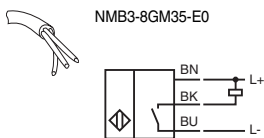
See pages from 972 ... for cordsets

See pages 1068 ... for mounting aids

- V1-G-2M-PUR** Cable socket, M12, 4-pin, PUR cable
- V3-GM-2M-PUR** Cable socket, M8, 3-pin, PUR cable
- V1-W-2M-PUR** Cable socket, M12, 4-pin, PUR cable
- V3-WM-2M-PUR** Cable socket, M8, 3-pin, PUR cable



Electrical Connection



Wire colors in accordance with EN 60947-5-2

- 1 | BN (brown)
- 3 | BU (blue)
- 4 | BK (black)

Wire colors in accordance with EN 60947-5-2

- 1 | BN (brown)
- 2 | WH (white)
- 3 | BU (blue)
- 4 | BK (black)

Date of issue 04/08/2015

Refer to "General Notes Relating to Pepperl+Fuchs Product Information".

Pepperl+Fuchs Group
www.pepperl-fuchs.com

USA: +1 330 486 0001
fa-info@us.pepperl-fuchs.com

Germany: +49 621 776 4411
fa-info@de.pepperl-fuchs.com

Singapore: +65 6779 9091
fa-info@sg.pepperl-fuchs.com

Courtesy of Steven Engineering, Inc - (800) 258-9200 - sales@steveng.com - www.steveng.com